

# **After Sales Technical Documentation**

## **NHE-5/NHK-5 DISASSEMBLY INSTRUCTIONS**



# **NHE-5/NHK-5 DISASSEMBLY INSTRUCTIONS**

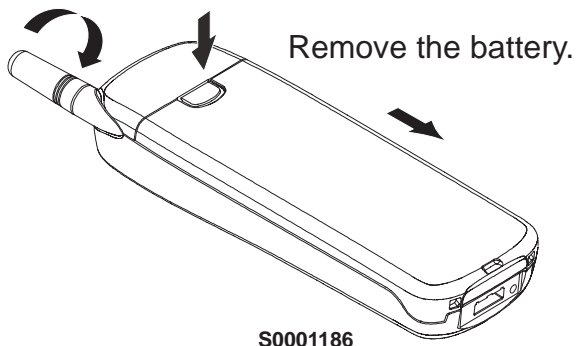
## **Contents**

Disassembly Instructions

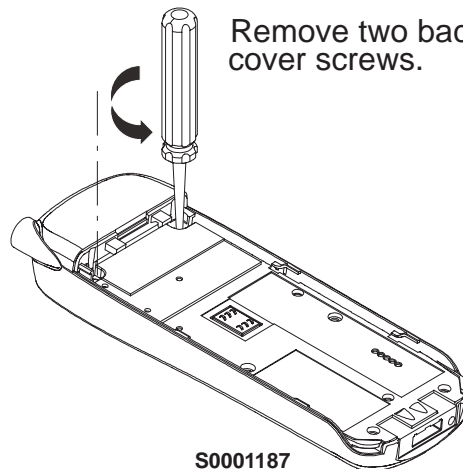
Page 4

# Disassembly Instructions

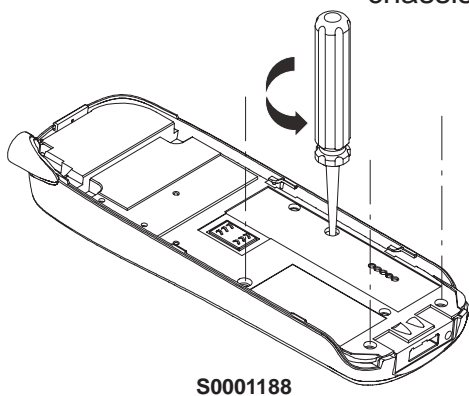
Remove the antenna.



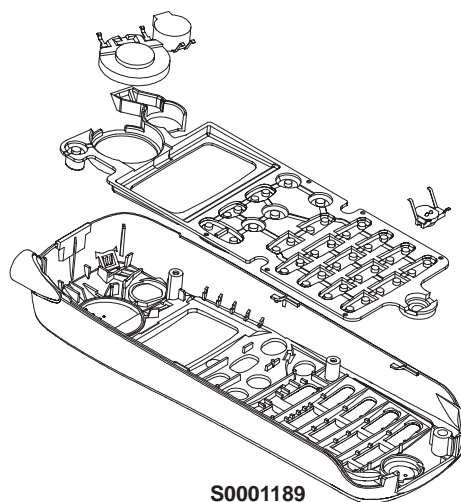
Remove two back cover screws.



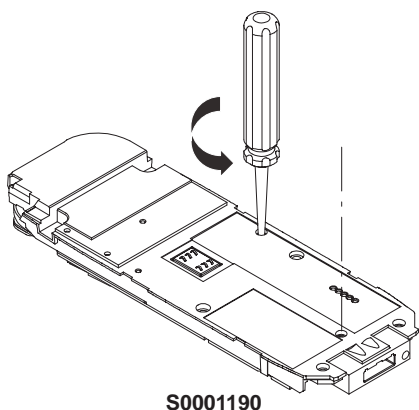
Then remove four chassis screws.



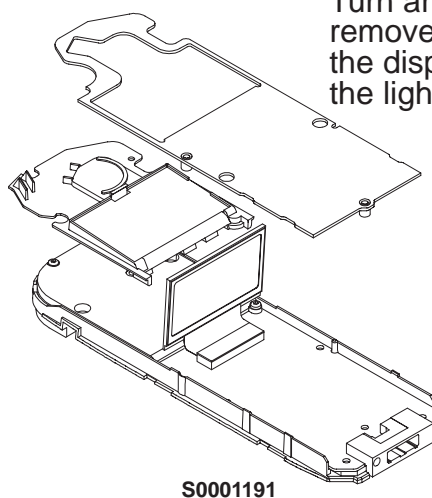
Now the keyboard rubber and audio components can be lifted off.



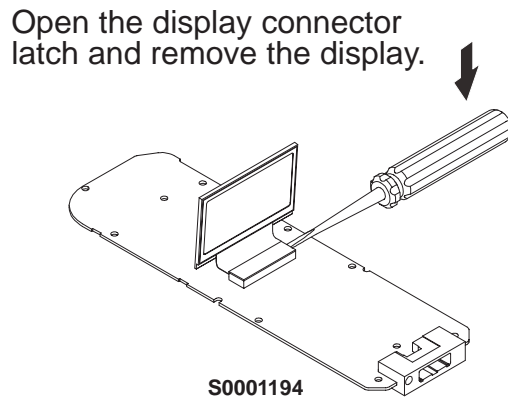
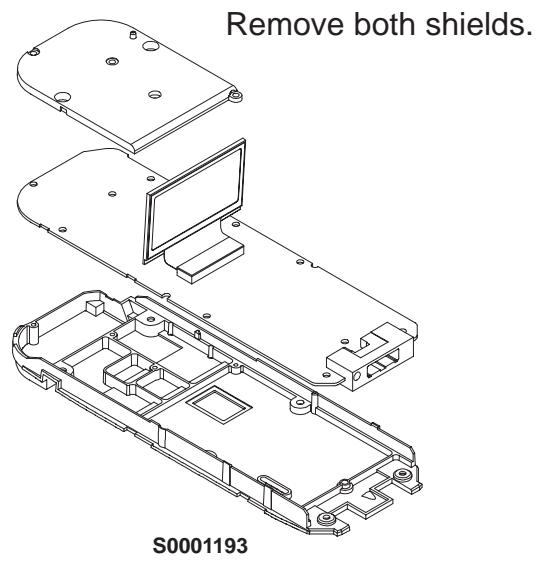
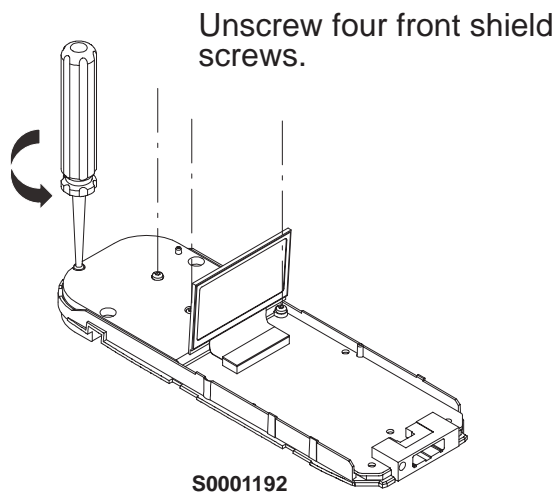
Then unscrew two UI module screws.



Turn around the chassis, remove the UI module, tilt the display and remove the lightguide.



Technical Documentation



This page intentionally left blank.